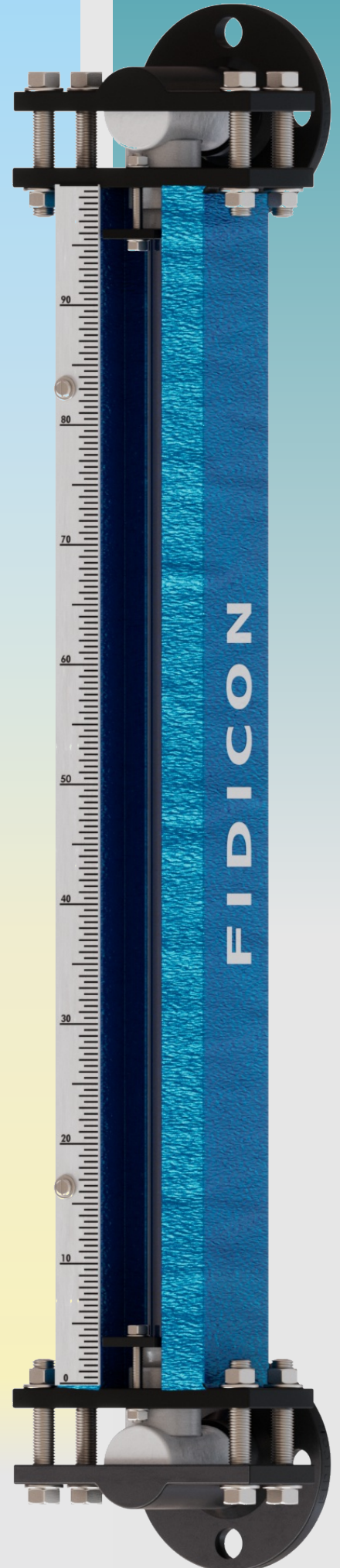
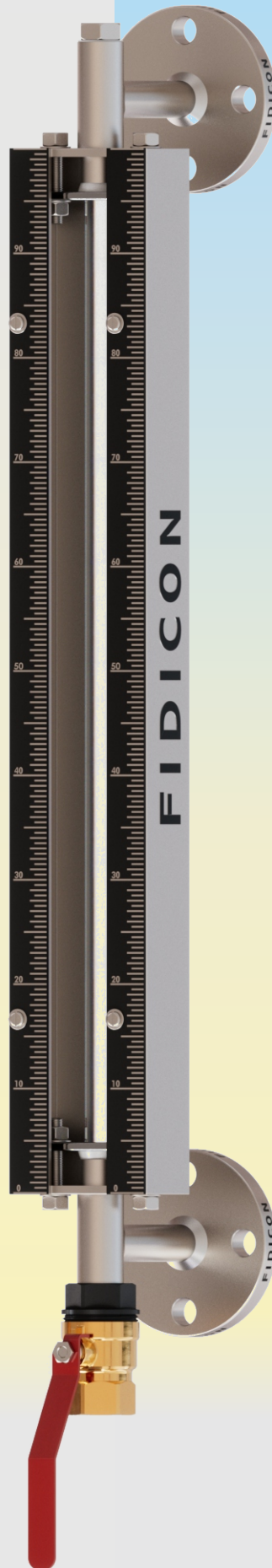
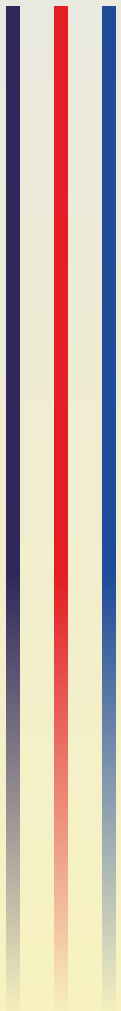


**SIDE MOUNTED HEAVY DUTY
LEVEL INDICATOR**
[**FDI - SMTLG - 301**]



INTRODUCTION

WORKING PRINCIPLE OF LEVEL GAUGES

Level gauge is a device which is used to show the level of fluids in fields. Depending on the type of application used, the type of level gauge should be selected. Level gauge is a direct method for measuring the level. on scientific terms, it follows pascal's law.

Level gauge consists of a metal body, machined to have an internal chamber and one or more front windows. On each window a special high resistance glass is used with sealing joint and metal cover plate hold by bolts and nuts.

MEASURING SYSTEM

Level devices operate under three main different principles:

- The position (height) of the liquid surface
- The pressure head
- The weight of the material

FUNCTION

Side mounted level indicator does not require any power source, neither special lights setup.

liquid level is visible with normal day light. materials are selected that are suitable with the chemicals in the process which are customized for each application.

Side Mounted Level Gauges are simple in construction in which glass tube is prepared as per center to center distance of flanges given by customer, end connection flanges are joint together with the body and glass tube with gland and bush fittings that are ensured to prevent any leaks.



FUNCTION

Level is seen through heavy wall borosilicate glass tube, protected by heavy duty box type guard made out of steel channels. Ends sealed by PTFE bolted gland. Bolted construction ensures long life.

Level indicators and level gauge should have the same strength as your vessel to withstand the high pressures to which it is subjected and the corrosive characteristics of the fluid. Also, your valuable process fluid should never leak out through the glass fitting. In industries, you may have to measure the levels of colourless liquids, interface of non-miscible fluids, liquids with sub-zero temperatures and liquids with too much foaming. All these requirements can be met with tubular level gauges, flat glass level gauges and magnetic non-contact type level indicators.

MANUFACTURER

FIDICON is a pioneer in the field of manufacturing Level Switch in India since 2002 years of designing, manufacturing, installation and service of the same. Side Mounted Heavy duty Tubular Level Indicator manufactured by FIDICON are user friendly and easy to install. It comes in many ranges and can be tailor made as per the requirements of customers.

INSTALLATION

Glass Tube (Borosilicate Boiler Quality) is fully protected by guard Rods or Box Section made of 'C' Channel.

- It has been confirmed that there is no damage to the glass tube and the end connection.
- Process Connection size and specification matches that of the order and of that received.
- Level Gauge Nozzle Centres received are what has been specified in the purchase order and match with Tank Nozzle Centres.
- The material of construction of the level gauge is compatible with both the contained media and surrounding atmosphere in the specific application.
- Valves have been provided to isolate the gauge during maintenance.
- Install the Level gauge/Indicator at the given connection after checking all the upper details.

FEATURES

- Smooth finish with durability
- light in weight and long-lasting construction
- Moisture & Abrasion resistance
- Easy to install & maintain

ADVANTAGES

It is simple and reliable indicator for direct reading in atmospheric or pressurized tank application.

- These indicators eliminate trouble giving threaded joints of conventional gauge glass cock as hazardous damage surrounding equipment & also endanger human life.
- Process Connection size and specification matches that of the order and of that received.
- Level Gauge Nozzle Centres received are what has been specified in the purchase order and match with Tank Nozzle Centres.
- The material of construction of the level gauge is compatible with both the contained media and surrounding atmosphere in the specific application.
- Valves have been provided to isolate the gauge during maintenance.
- Install the Level gauge/Indicator at the given connection after checking all the upper details.

RECOMMENDED SERVICE

It is advisable to replace the gaskets at least once in a year.

Cleaning of gauge glass:

The gauge glass can be cleaned without its removal as follows,

- Close both isolation valves (If applicable).
- Open the drain plug / valve and drain the liquid from the liquid chamber.
- Open vent plug / valve.
- Clean the gauge glass with a soft wire brush or by-passing compressed air or water from top (vent).
If dirt still persists, then employ trichloroethylene.

APPLICATION

- Power Plant
- Process Industry
- Pharmaceutical
- Chemical
- Pressure Applications

RECOMMENDED DISPOSAL

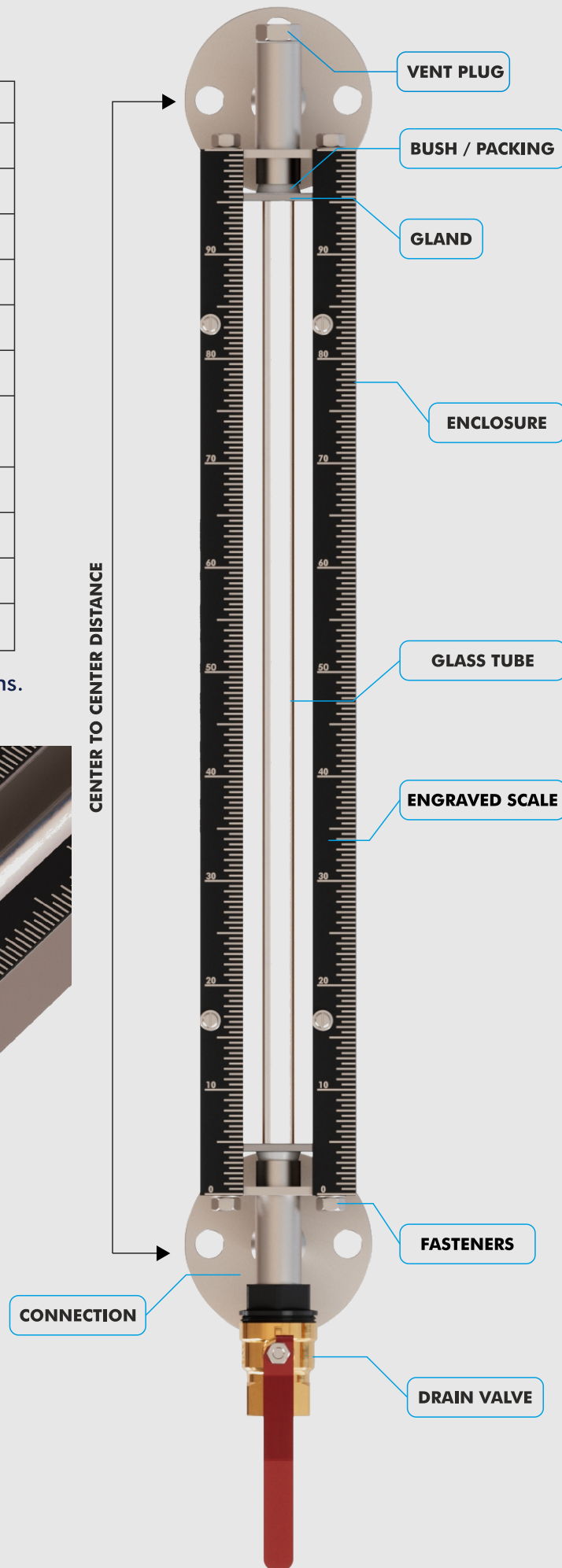
- Give it back to us & we will take care of recycling & possible disposal.
- User can dis-assemble the product in multiple stage
- The above may be handed over (state pollution board), authorized re-cycler item-wise.

SIDE MOUNTED LEVEL INDICATORS (SS CONSTRUCTION)

MATERIAL & FEATURES OPTIONS:

Sr.	Part Name	STD. Material
1.	Body / Enclosure	Stainless Steel
2.	Connection (Flanged / Screwed)	Stainless Steel
3.	Gland	Stainless Steel
4.	Gland Bush / Packing / Gasket	PTFE / PP / etc
5.	Protection Glass (Optional)	Toughened Glass
6.	Glass Tube	Borosilicate
7.	Scale (Engraved / Laser Marked)	Aluminum / S.S./ Acrylic
8.	Fasteners	Stainless Steel
9.	Drain Valve / Plug	Stainless Steel
10.	Vent Plug / Valve	Stainless Steel
11.	Isolation Valve (Optional)	Stainless Steel

- Materials are customized as per customer's specifications.
- Preferred Highly Acidic / Alkaline Chemicals in Nature also manufactured with PTFE Lining options.

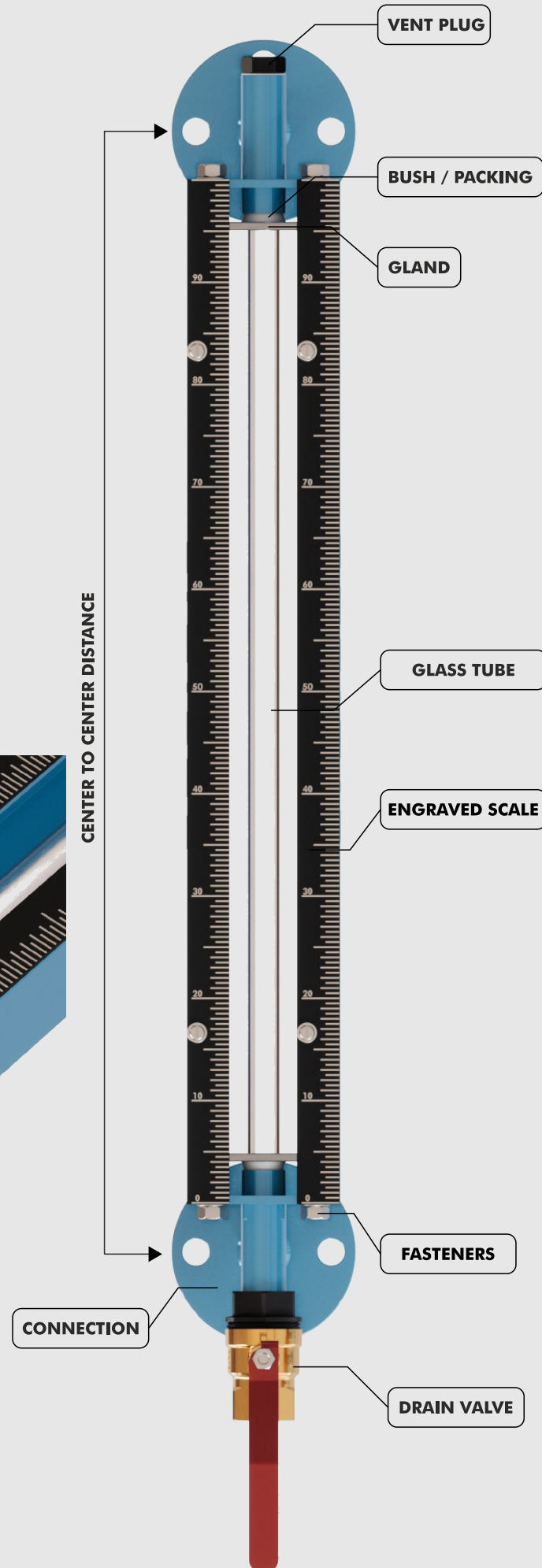
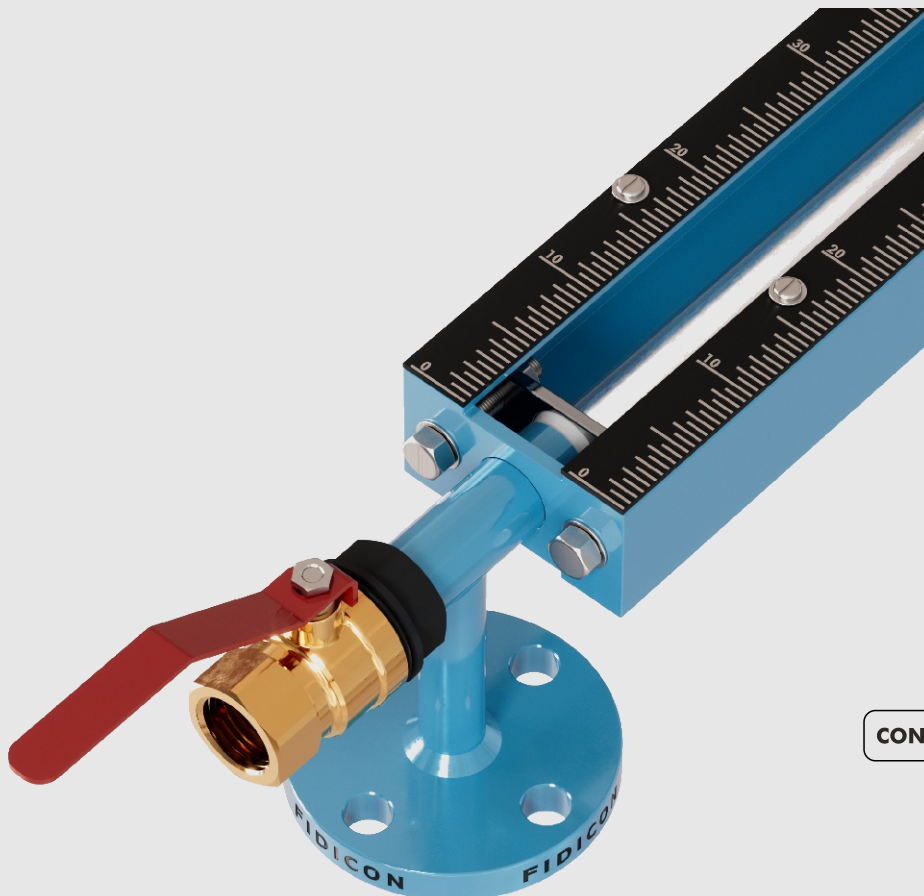


SIDE MOUNTED LEVEL INDICATORS (MS CONSTRUCTION)

MATERIAL & FEATURES OPTIONS:

Sr.	Part Name	STD. Material
1.	Body / Enclosure	Mild Steel
2.	Connection (Flanged / Screwed)	Mild Steel
3.	Gland	Mild Steel
4.	Gland Bush / Packing / Gasket	PTFE / PP / etc
5.	Protection Glass (Optional)	Toughened Glass
6.	Glass Tube	Borosilicate
7.	Scale (Engraved / Laser Marked)	Aluminum / S.S./ Acrylic
8.	Fasteners	Stainless Steel
9.	Drain Valve / Plug	WCB - CS/MS etc.
10.	Vent Plug / Valve	WCB - CS/MS etc.
11.	Isolation Valve (Optional)	WCB - CS/MS etc.

- Materials are customized as per customer's specifications.
- Preferred Choice for Non Reactive Chemicals

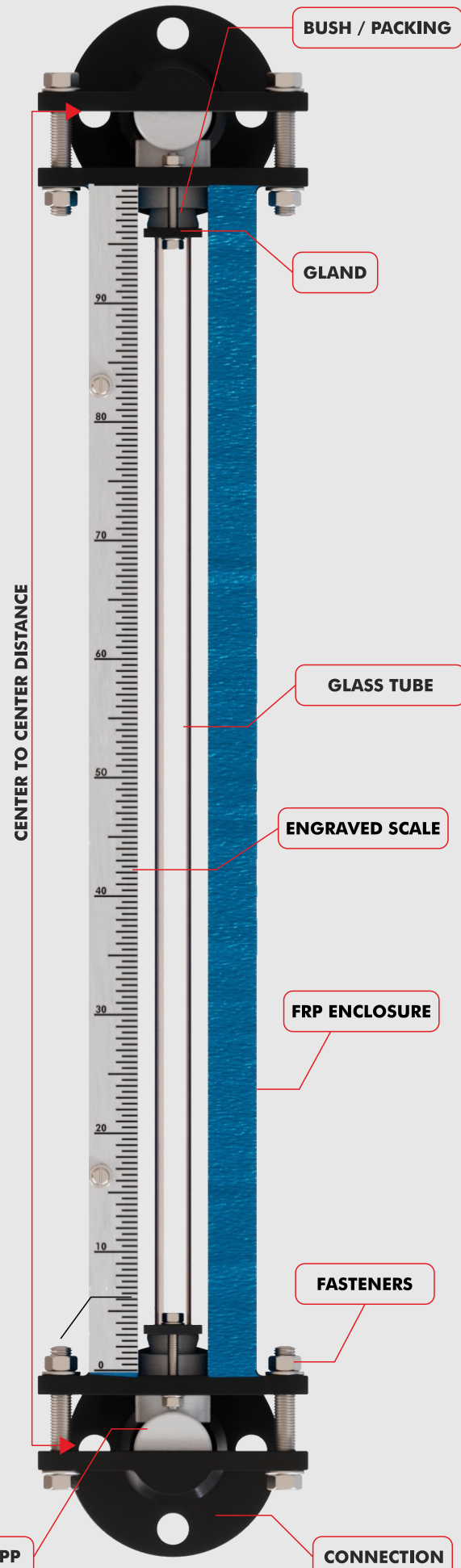
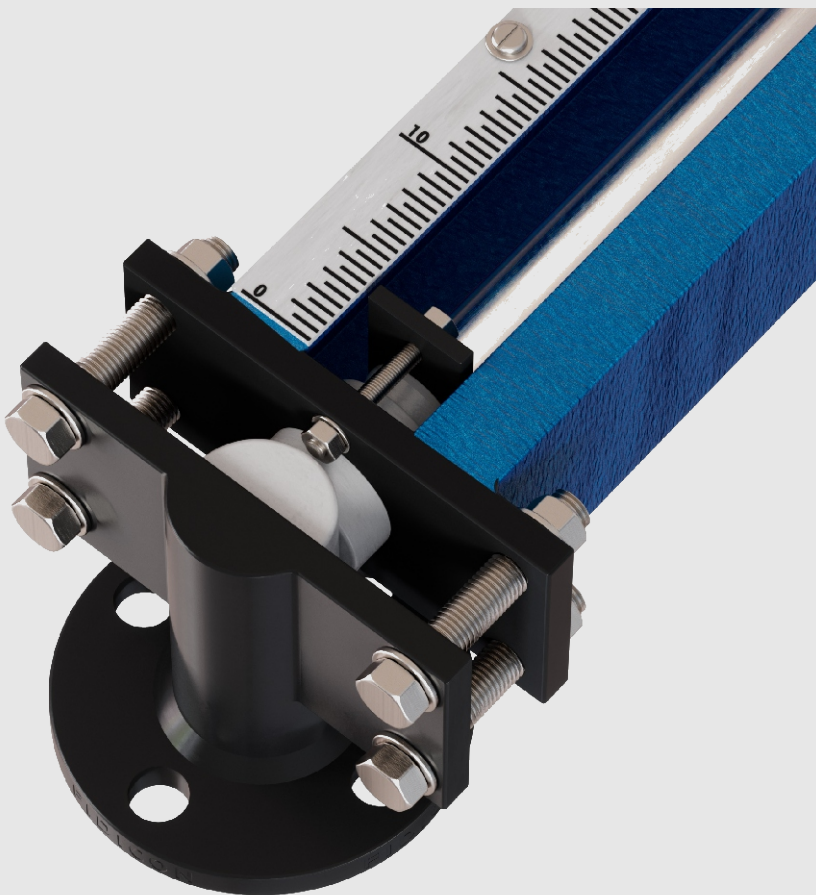


SIDE MOUNTED LEVEL INDICATORS (MS PTFE / PP CONSTRUCTION)

MATERIAL & FEATURES OPTIONS:

Sr.	Part Name	STD. Material
1.	Body / Enclosure	P.P. / F.R.P.
2.	Connection (Flanged / Screwed)	MS-PTFE/PP Lined
3.	Gland	Mild Steel
4.	Gland Bush / Packing / Gasket	PTFE / PP / etc
5.	Protection Glass (Optional)	Toughened Glass
6.	Glass Tube	Borosilicate
7.	Scale (Engraved / Laser Marked)	Aluminum / S.S./ Acrylic / PP etc.
8.	Fasteners	Stainless Steel
9.	Drain Valve / Plug	PTFE / PP etc.
10.	Vent Plug / Valve	PTFE / PP etc.
11.	Isolation Valve (Optional)	PTFE / PP etc.

- Materials are customized as per customer's specifications.
- Preferred Choice for Highly Acidic / Alkaline Chemicals in Nature.





ENQUIRY SPECIFICATIONS:

- [1] Service Media Details.
- [2] Size/Connection
- [3] System Operating and Design Pressure.
- [4] System Operating and Design Temperature.
- [5] Material Specifications (Body, Internal)
- [6] Center To Center Distance/Connection Height

RECOMMENDED SPARES

- [1] Glass Tube
- [2] Gland Bush
- [3] Gasket
- [4] Drain/Isolation/Control Valve

OTHER RANGE OF PRODUCTS

- [1] Flame Arrester
- [2] Breather Valve
- [3] Level Indicators
- [4] Rotameters
- [5] Emergency Relief Valve
- [6] Gauge Hatch
- [7] Strainers
- [8] Pressure Reducing Valve
- [9] Safety Relief Valve
- [10] Flowmeters
- [11] Level Switches
- [12] Pressure Reducing Station
- [13] Level Gauge, etc.



Any Query?

Contact us to Discuss,

Phone No: +91-2646-222238/223412

Mobile No: +91-9824418777

sales@fidicondevices.com

info@fidicondevices.com

Address: Plot No. 1706/12, GIDC Ankleshwar,
Dist.: Bharuch, Gujarat, India 393002.